

# Low 48Vdc track 1, 2 or 3 m



LOUIS MMXXII  
LIGHTING



## COLOURS



## OPTIONS

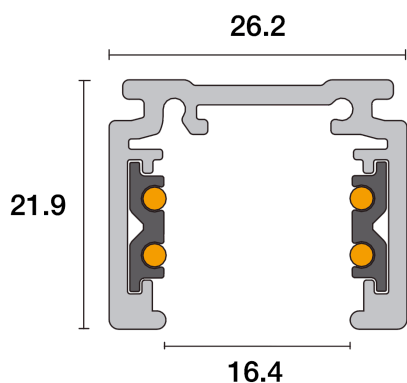
Dimmable



Product code Black {RAL 9011} - 1m	L-2022-PRO-N110-B
Product code Black {RAL 9011} - 2m	L-2022-PRO-N120-B
Product code Black {RAL 9011} - 3m	L-2022-PRO-N130-B
Product code White {{RAL 9010}} - 1m	L-2022-PRO-N110-W
Product code White {{RAL 9010}} - 2m	L-2022-PRO-N120-W
Product code White {{RAL 9010}} - 3m	L-2022-PRO-N130-W

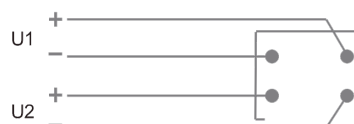
Main materials	Copper + Aluminum
Net weight per piece	560 grams
Inner box / outer box	1 / 9 pcs
Rated voltage per circuit	48V / 16A

## DIMENSIONS



## CONNECTING DIAGRAM

### Low Voltage 2 Circuits



48V 2\*15A Max.

### Low Voltage Single Circuit DALI



48V 15A Max.

## MECHANICAL LOAD DIAGRAM

